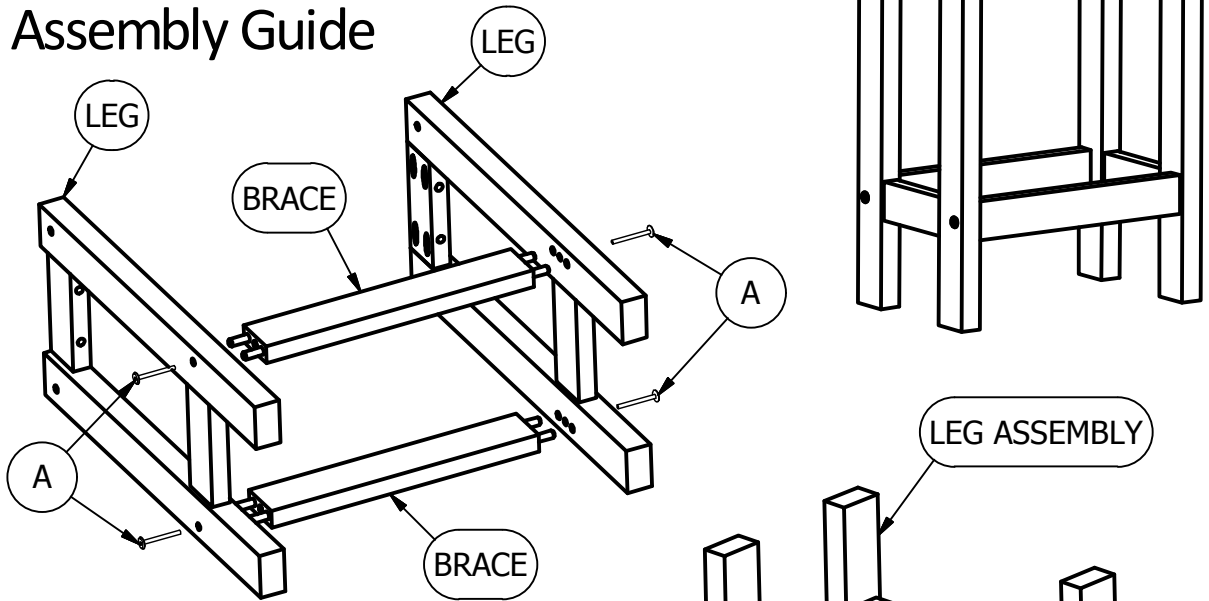
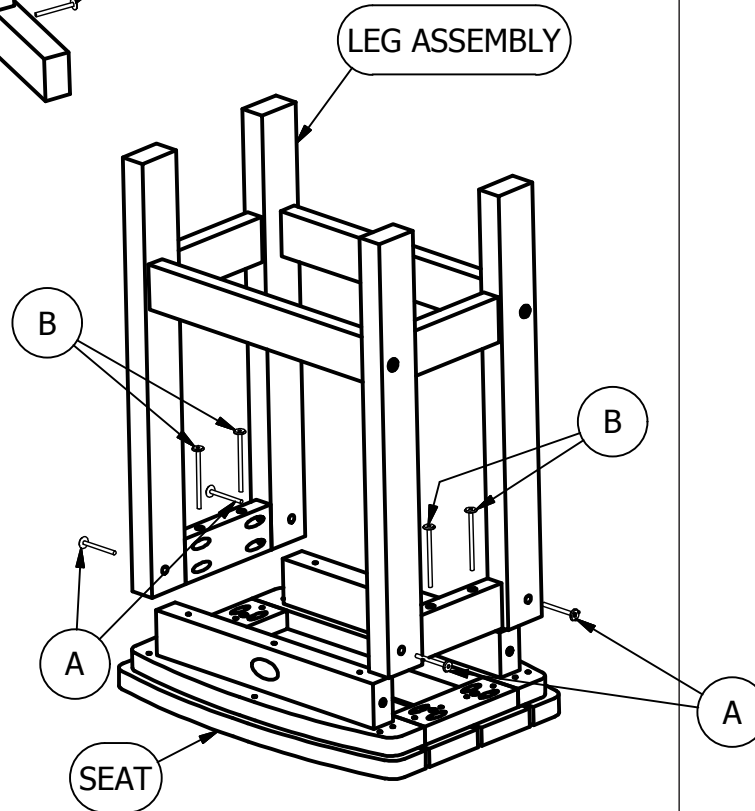


# Lehigh Collection Counter/Bar Stool

## Assembly Guide

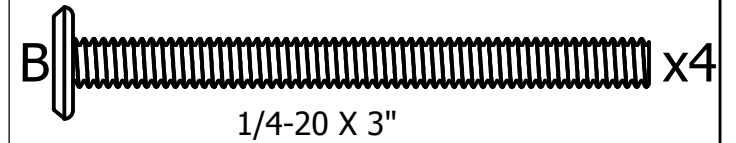
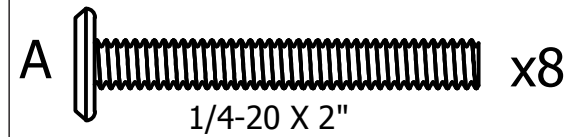


**1)** Install Braces Between Legs Using (4) "A" Bolts as Shown.



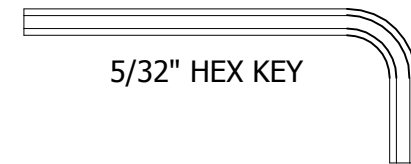
**2)** Attach Leg Assembly to Seat Using (4) "A" Bolts and (4) "B" Bolts as Shown.

### HARDWARE



**IMPORTANT!**  
DO NOT fully tighten the bolts until all bolts are started. Once all bolts are inserted, go back & tighten all the bolts.  
Retain these instructions for future reference

### INCLUDED TOOLS



5/32" HEX KEY